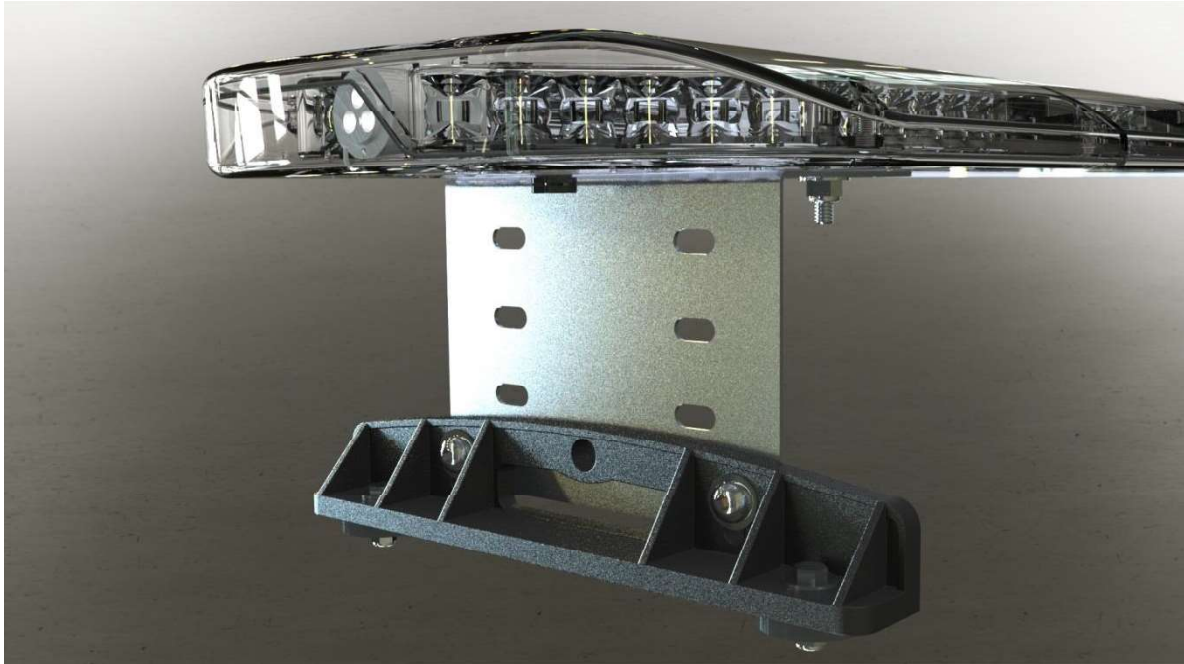




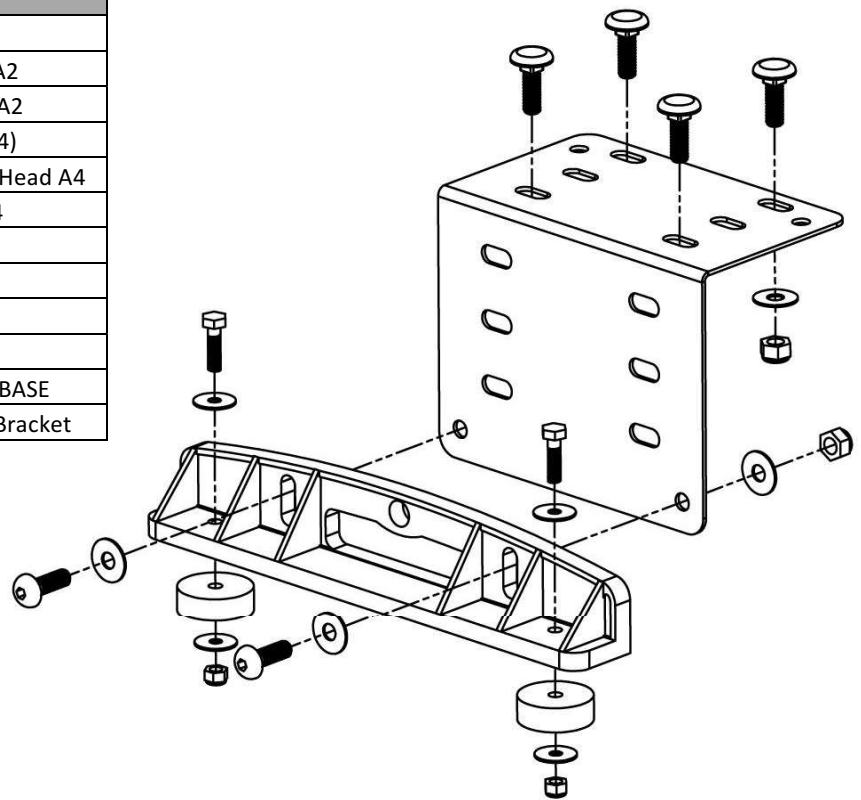
**h) EM108UHP Ultra High Profile Bracket - NEW**

Part No. EM108UHP

Fixing: Permanent - 150mm elevation with adjustable angle



Quantity	Description
8	M8 Nyloc Nuts (A2)
12	M8 x 21 Ring Washer A2
8	M6 x 20 Wing Washer A2
8	M8 x 25 Coach Bolt (A4)
4	M8 x 25 Allen Socket Button Head A4
4	M6 x 25 Set Screw A4
4	M6 Nyloc Nuts A2
4	M8 Square Nut A2
4	Rubber Spacer
1	Allen Key 5mm
2	FOOTPACK PART 2 LONG BASE
2	ULTRA High Stainless Steel Bracket



**Installation instructions:**

- i. Assemble the 'Ultra-high profile' bracket combined with the Long Base from standard Universal footpack kit as primary task. This will make installation easier.
- ii. Install to the Lightbar basetray.
- iii. Mark installation positions on roof of vehicle (or installation point)
- iv. Drill positions using appropriate drill bit. We recommend 6.5mm drill bit (supplied installation bolts are M6 {6mm} size).
- v. Ensure rubber feet are used with installation to assist with vibrations whilst mounted on vehicle (ie during use).
- vi. Height of footpack can be adjusted by installing the stainless steel plate to a different face to reach desired install height.
- vii. **NOTE: For a lower set height of 115mm – see option (i)**