



e) EM108UF & EM102SC Universal Footpack & Suction Cups (21.5" / 55cm only)

Part No. EM108UF & EM102SC

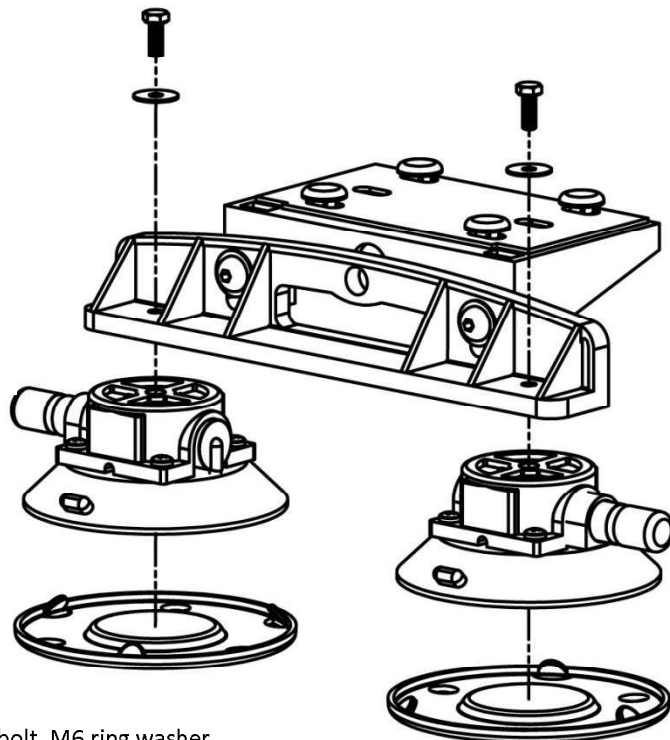
Fixing: Temporary

55-68mm elevation with adjustable angle

Should be used in conjunction with a Safety Lanyard (EM173L1)



Quantity	Description
4	AHM20 Suction cup
4	3/4 Inch UNC bolt
4	M6 Anti – Vibration washer
4	M6 x 20 Ring Washer



Installation instructions:

- i. Secure to Universal Footpack using ¾" UNC bolt, M6 ring washer
- ii. For use; clean the contact surface and inner vacuum cup to ensure there are no elements that may cause suction issues.
- iii. Pump the plunger until the cup attaches completely. When the red line is hidden, the beacon is ready for use.
- iv. Check the plunger frequently to make sure the cup remains securely attached.
- v. To release, pull the release tab on the suction cup until the unit disengages.
- vi. **NOTE:** Always remove the red caps from suction prior to use – these are for storage only (suction will not work if caps are present).